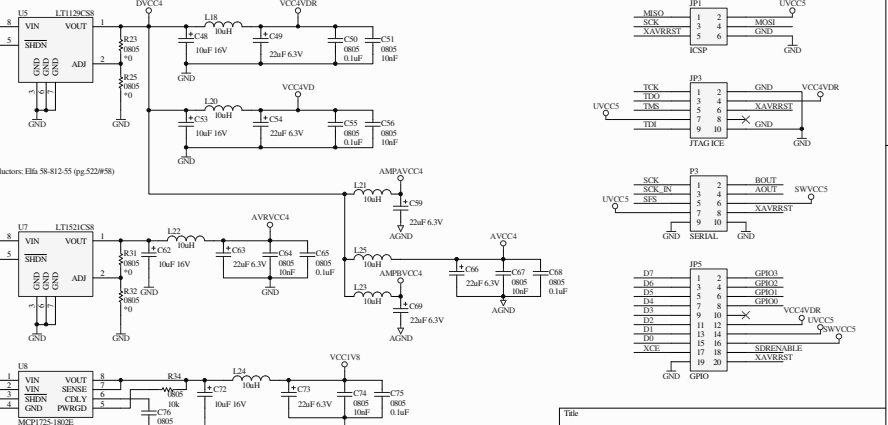
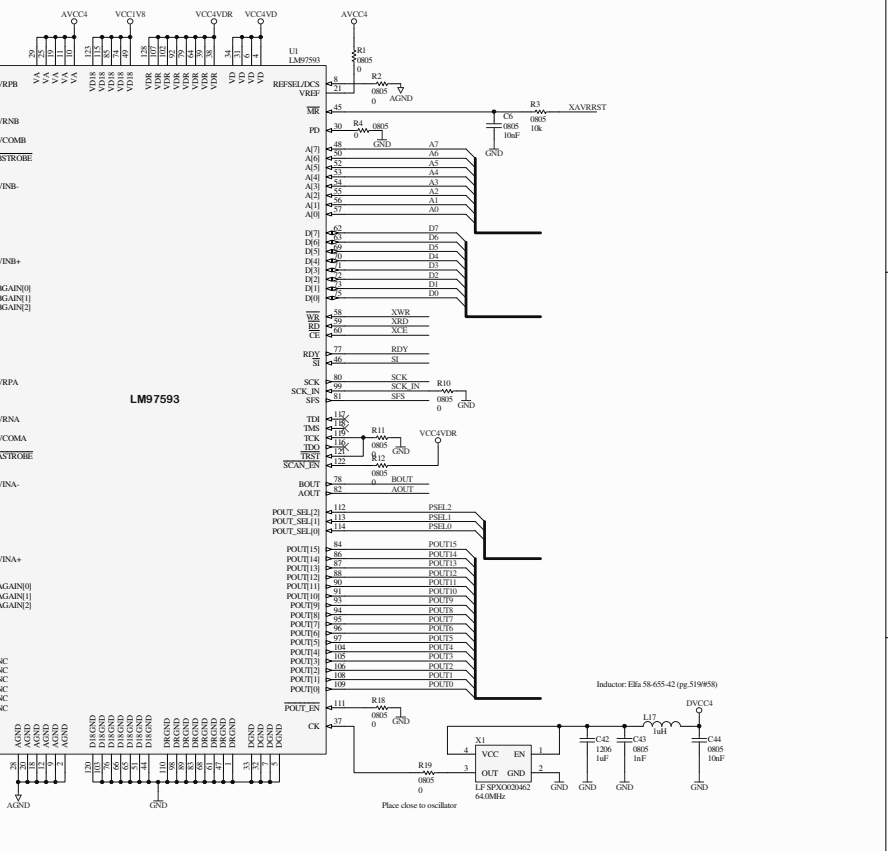
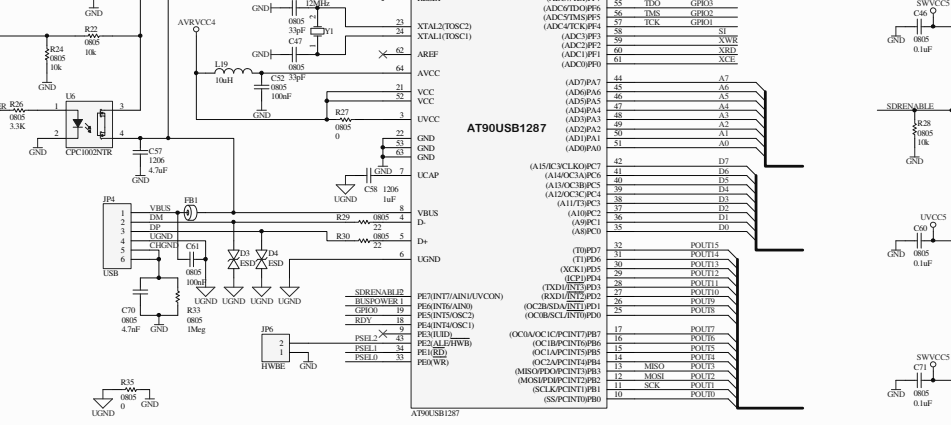
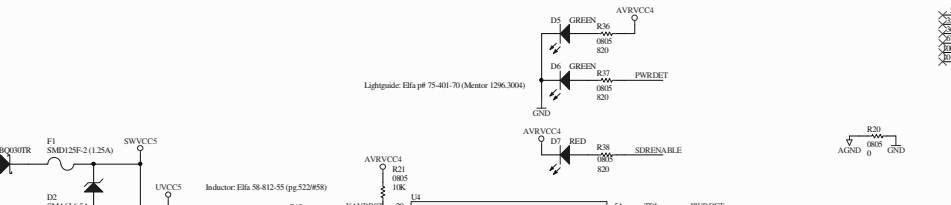
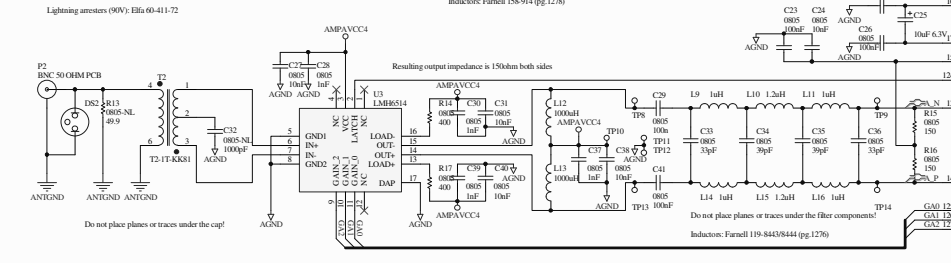
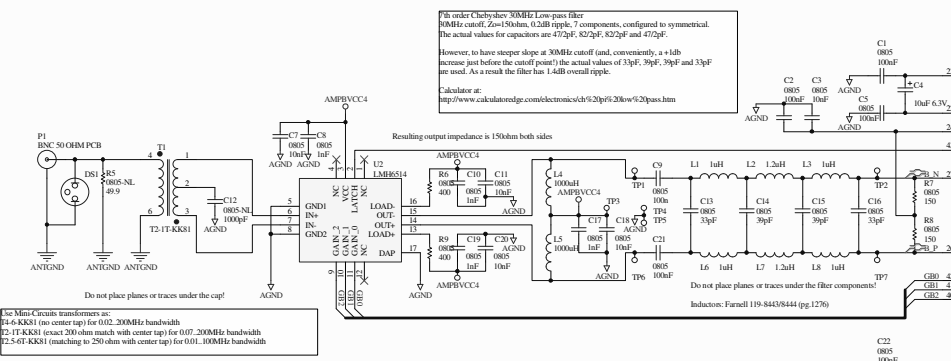


Place 100nF and 10µF caps on all power pin groups here

4th order Chebyshev 30MHz Low-pass filter
30MHz cutoff, Z₀=50ohm, 0.2dB ripple, 7 components, configured to symmetrical.
The actual values for capacitors are: C1=6.822nF, C2=2nF and 470nF.
However, to have steeper slope at 30MHz cutoff (and, conveniently, a 4 dB increase just before the cutoff) the actual values of 33pF, 39pF, and 33pF are used. As a result the filter has 1.4dB overall ripple.
Calculator at:
<http://www.calculator.net/electroniccalc/02p0p020w0620pass.htm>



File	Number	Revision
Sire	A2	
Date:	2/25/2011	
Drawn By:	2/25/2011	
Sheet of	2/25/2011	
Drawn By:	2/25/2011	